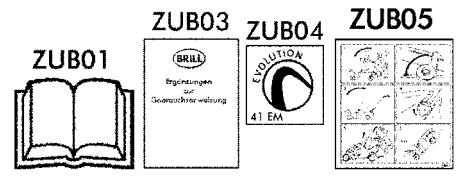
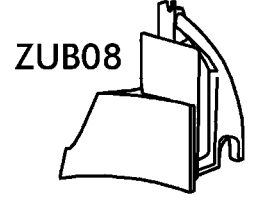
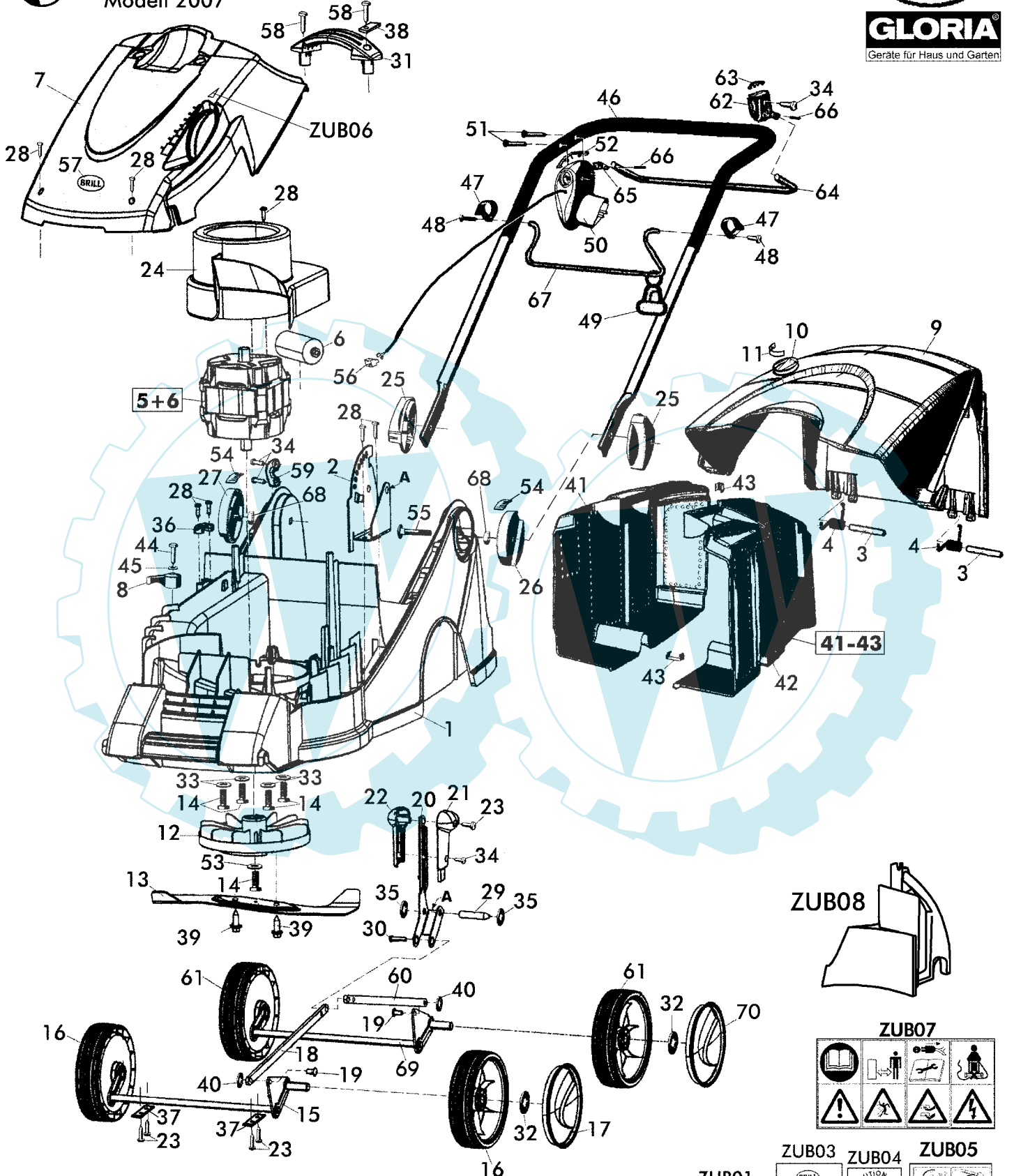




41 EM - Art.61042
Modell 2007



| 2/3 | |  | 41 EM - Art. 61042 | |  |
|------------------------------|-------------------------------------|--|-----------------------------------|------------------------|--|
| 2007 | | | Modell 2007 | | |
| Rev.071603 | | | | | |
| Bild Nr. REF.N° POS.N° | BEST.-NR. PART-N° N° d. PIECE | BEZEICHNUNG | DESCRIPTION | Anzahl Qty. Qte. | |
| 1-4+28 | 14300 | Gehäuse 41 kpl | Chassis 41 cpl | 1 | |
| 2 | 14102 | Lochplatte | Adjustment plate | 1 | |
| 3 | 14103 | Zylinderstift DIN 7 8m6x60 | Pin DIN 7 8m6x60 | 1 | |
| 4 | 14104 | Schenkelfeder | Leg spring | 2 | |
| 5+6 | 14061 | E-Motor | Electric Motor | 1 | |
| 6 | 14004 | Kondensator 16 µF | Condenser 16 µF | 1 | |
| 7 | 14062 | Elektrohaube | Hood | 1 | |
| 8 | 14739 | Halteriegel | Lock bar | 1 | |
| 9 | 14063 | Schwenkklappe 41 | Pan flap 41 | 1 | |
| 10 | 14130 | Füllstandsanzeige kpl | Lever indicator cpl. | 1 | |
| 11 | 14787 | Aufkleber "FULL" | Label "FULL" | 1 | |
| 12 | 14132 | Messeraufnahme | Blade collet | 1 | |
| 13 | 61606 | Messer 41 | Blade 41 | 1 | |
| 14 | 14017 | SKT-Schraube ISO 4017-M8x20-10.9 | Screw ISO 4017-M8x20-10.9 | 5 | |
| 15 | 14315 | Radachse vorne kpl. | Front wheel axle cpl | 1 | |
| 16 | 14065 | Laufgrad 160 2K | Wheel 160 2K | 2 | |
| 17 | 14021 | Radkappe 150 | Wheel cap 150 | 2 | |
| 18 | 14765 | Zugstange vorne 41 | Front tension rod 41 | 1 | |
| 19 | 14147 | Bolzen | Bolt | 2 | |
| 20 | 14160 | Höhenverstellhebel kpl | Height adjustment lever assy. | 1 | |
| 21 | 14006 | Höhenverstellgriff rts | Height adjustment grip part right | 1 | |
| 22 | 14007 | Höhenverstellgriff lks | Height adjustment grip part left | 1 | |
| 23 | 09864 | LIB-Schraube B4,2x19 DIN7981 | Screw B4,2x19 DIN7981 | 7 | |
| 24 | 14064 | Lüfführung 41 | Air guide 41 | 1 | |
| 25 | 14009 | Gelenkspanngriff | Link mounting grip | 2 | |
| 26 | 15258 | Höhenverstellscheibe Links | Adjustment washer left | 1 | |
| 27 | 15257 | Höhenverstellscheibe Rechts | Adjustment washer right | 1 | |
| 28 | 10268 | LIB-Schraube 4,8x19 | Screw 4,8x19 | 7 | |
| 29 | 14014 | Lagerstift | Pin | 1 | |
| 30 | 14015 | Bolzen | Bolt | 1 | |
| 31 | 14022 | Heckgriff | Rear grip | 1 | |
| 32 | 14013 | Starlock,Schnellbef.Ø12/399417 | Starlock 12 | 4 | |
| 33 | 06465 | Scheibe DIN 125 A8,4 | Washer DIN 125-A8,4 | 4 | |
| 34 | 06820 | LIB-Schraube B4,2x13 | Screw B4,2x13 | 4 | |
| 35 | 14525 | Starlock,Schnellbef Ø10/399415 | Starlock 10 | 2 | |
| 36 | 14851 | Kabelklemme | Clamp | 2 | |
| 37 | 14081 | Klemmteil zur Achse | Axle clamp | 2 | |
| 38 | 14058 | Sperrhebel 41 | Lock lever 41 | 1 | |
| 39 | 14785 | SKT-Schraube 8x25 DIN6928 | Screw 8x25 DIN6928 | 2 | |
| 40 | 14189 | Starlock,Schnellbef.Ø6/399209 | Starlock 6 | 2 | |
| 41-43 | 14345 | Fangkorb kpl. 41 | Grass catcher assy.cpl. 41 | 1 | |
| 43 | 12970 | Verbindungsclammer, lose | Clamp | 9 | |
| 44 | 08667 | LIB-Schraube 6,3x19 | Screw 6,3x19 | 1 | |
| 45 | 14753 | Scheibe M7DIN 125A | Washer M7DIN 125A | 1 | |
| 46 | 14531 | Rohrbügel 40 EM kpl. | Handle bar rod 40 EM assy | 1 | |
| 47 | 11819 | Führungsstangenhalter 22 | Guide support 22 | 2 | |
| 48 | 08722 | LIB-Schraube BZ 3,5*13 DIN7981 V2A | Screw BZ 3,5*13 DIN7981 V2A | 2 | |
| 49 | 10962 | Zugentlastung | Pull relief | 1 | |
| 50 | 14585 | Bügelshalter | Switch 36EM | 1 | |
| 51 | 11623 | PT-Schraube K40 | PT-Scew K40 | 2 | |
| 52 | 12577 | Schalterabdeckung | Switch cover | 1 | |

| 3/3 | EVOLUTION | | 41 EM - Art. 61042 | BRILL |
|------------------------------|--------------------------------------|-----------------------------------|-----------------------------------|------------------------|
| 2007 | | | Modell 2007 | GLORIA |
| Rev.071603 | | | | |
| Bild Nr. REF.N° POS.N° | BEST.-NR. PART-NO. NO d. PIECE | BEZEICHNUNG | DESCRIPTION | Anzahl Qty. Qte. |
| 53 | 06842 | SCHEIBE A8,4 DIN9021 VERZ | Washer A8,4 DIN9021 | 1 |
| 54 | 15102 | Aufkleber Höhenverstellung | Label Height adjustment | 2 |
| 55 | 14759 | FR-Schraube DIN 603-M8x60 | Screw DIN 603-M8x60 | 2 |
| 56 | 10988 | LPH Steckhülse | LPH connector | 1 |
| 57 | 14754 | Aufkleber "BRILL" | Label "BRILL" | 1 |
| 58 | 14027 | LIB-Schraube ISO7049-Torx5,5*38 C | Screw ISO7049-Torx5,5*38 C | 2 |
| 59 | 14850 | Kabelleiter | Cable guide | 1 |
| 60 | 14321 | Zugstange hinten | Rear tension rod | 1 |
| 61 | 14070 | Laufrad hinten 180 kpl. | Rear Wheel 180 cpl | 2 |
| 62 | 11814 | Büggelager kompl. | Bracket bearing cpl. | 1 |
| 63 | 12578 | Abdeckung | Cover | 1 |
| 64 | 13700 | Auslösebügel gep. | Switch bracket | 1 |
| 65 | 12590 | Adapter zum Schalter | Switch adapter | 1 |
| 66 | 12503 | Spannstift DIN 7 | Pin DIN 7 | 2 |
| 67 | 13673 | Führungsstange | Guide rod | 1 |
| 68 | 06493 | SKT-Mutter BM8 | Nut BM8 | 2 |
| 69 | 14335 | Radachse hinten | Rear Wheel axle | 1 |
| 70 | 14110 | Radkappe 180 | Wheel cap 180 | 2 |
| | | ZUBEHÖR | ACCESSORIES | |
| ZUB01 | 14790 | Gebrauchsanweisung EVOLUTION | Instruction for use EVOLUTION | 1 |
| ZUB03 | 14096 | GAW Ergänzung zur GAW 62042 | Instruction Addendum for 62042 | 1 |
| ZUB04 | 14582 | Aufkleber 61042 | Label 61042 | 1 |
| ZUB05 | 13061 | Aufkleber, Funktionen | Label, Functions | 1 |
| ZUB06 | 14856 | Aufkleber,rot -Höhe 1,6mm | Label, red-height 1,6mm | 1 |
| ZUB07 | 15255 | Piktogrammaufkleber | Label, Pictogramm | 1 |
| ZUB08 | 78933 | Evolution-Mulch-Box 41 (optional) | Evolution-Mulch-Box 41 (optional) | 1 |